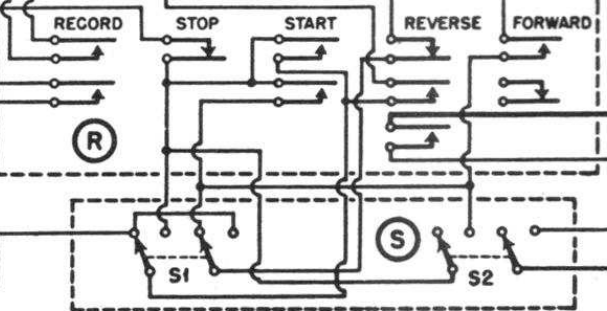
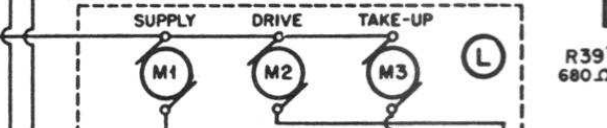
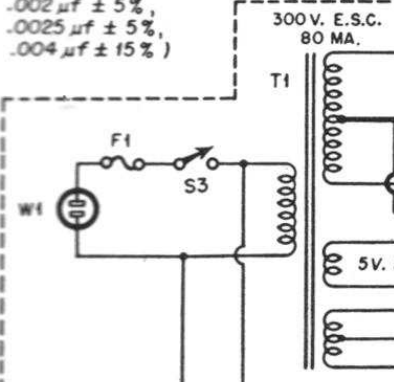


VALUE DETERMINED BY INDIVIDUAL HEAD AND AS MARKED ON THE HEAD MOUNTING BRACKET.  
 (VALUES USED ARE  
 .002  $\mu\text{f} \pm 5\%$ ,  
 .0025  $\mu\text{f} \pm 5\%$ ,  
 .004  $\mu\text{f} \pm 15\%$ )



OBLITERATE COIL

EXTERNAL JUMPER

LS1